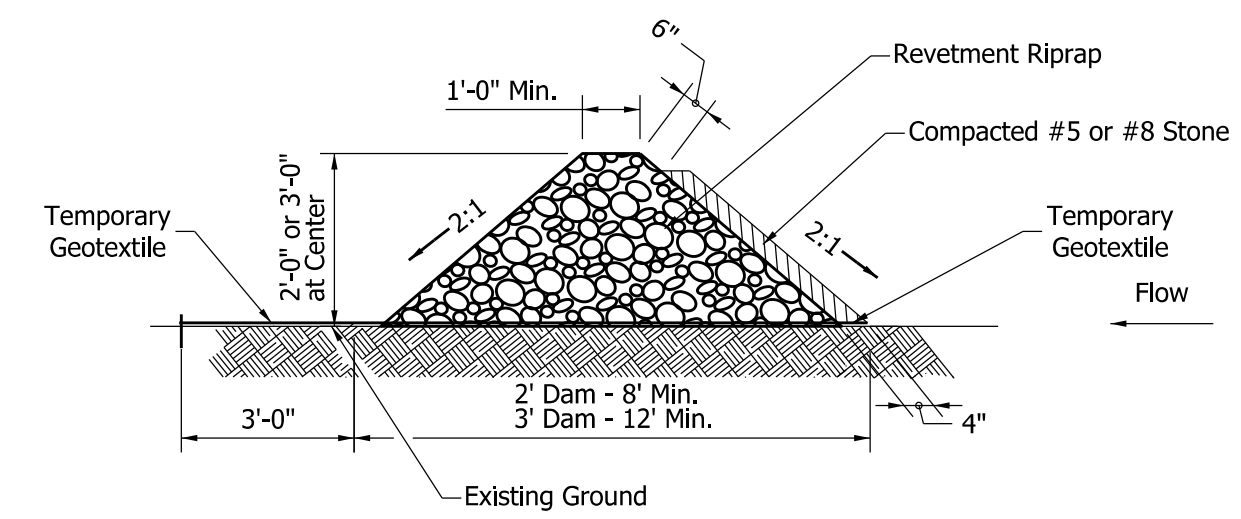
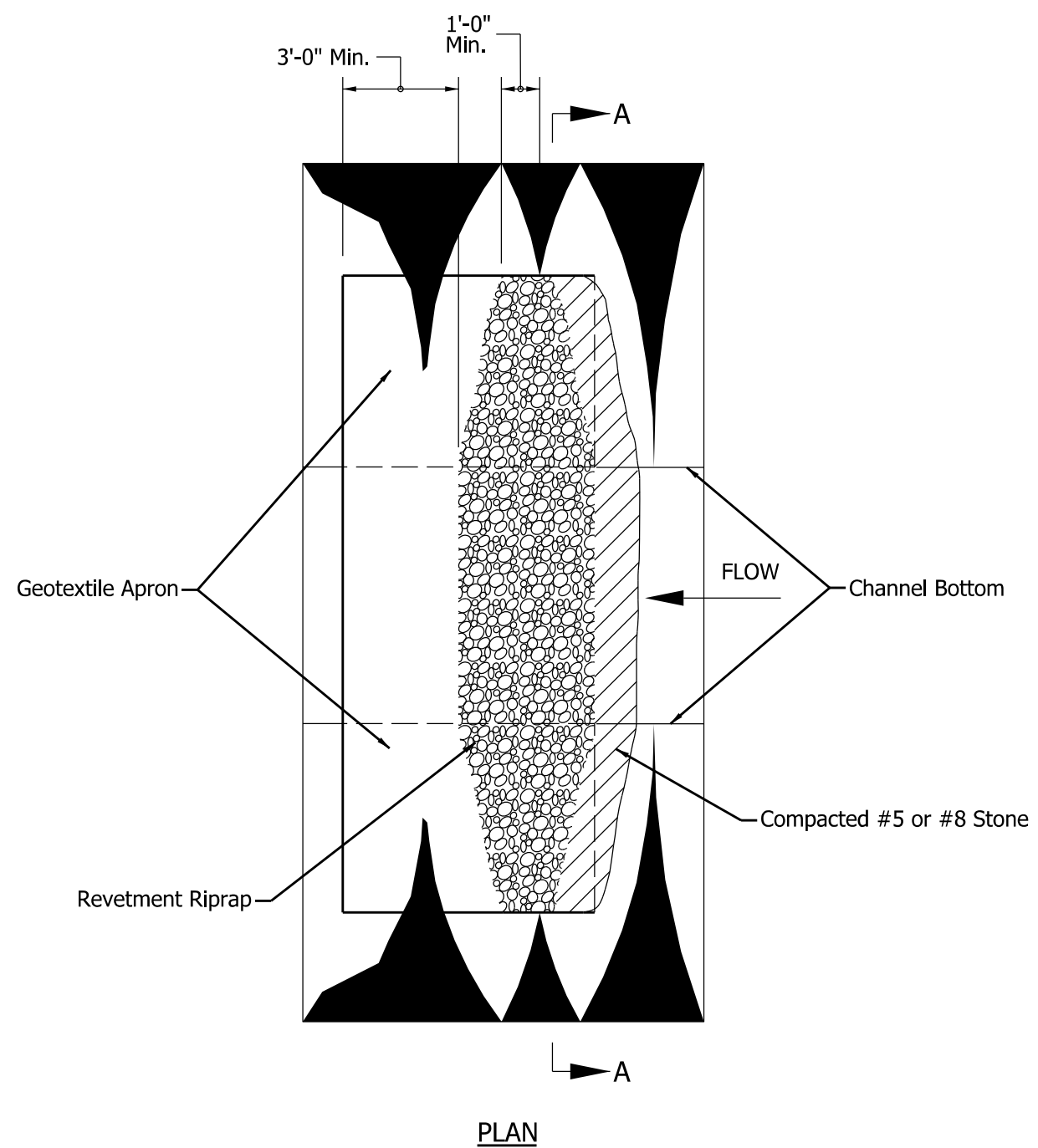
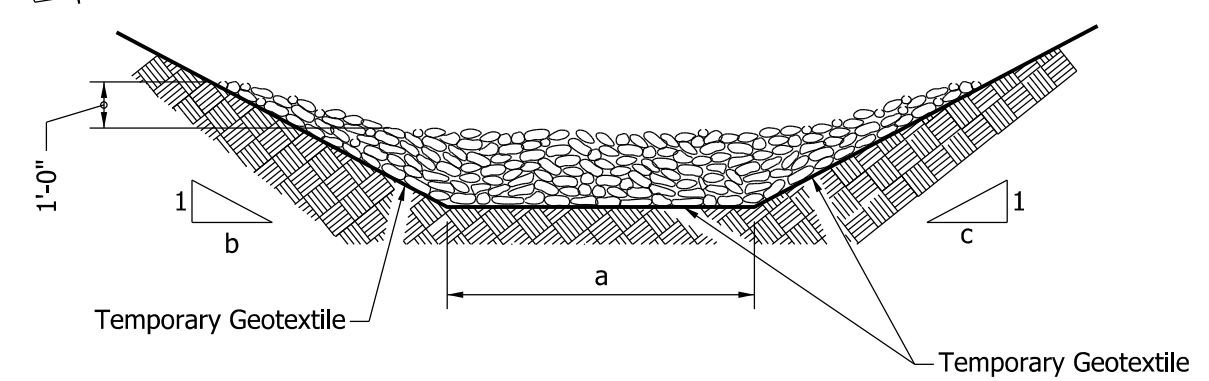
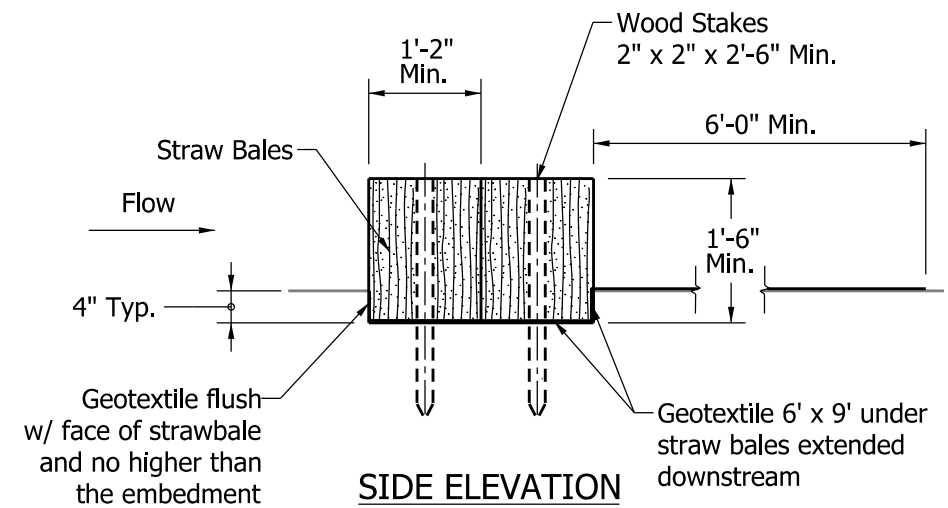


**NOTES:**

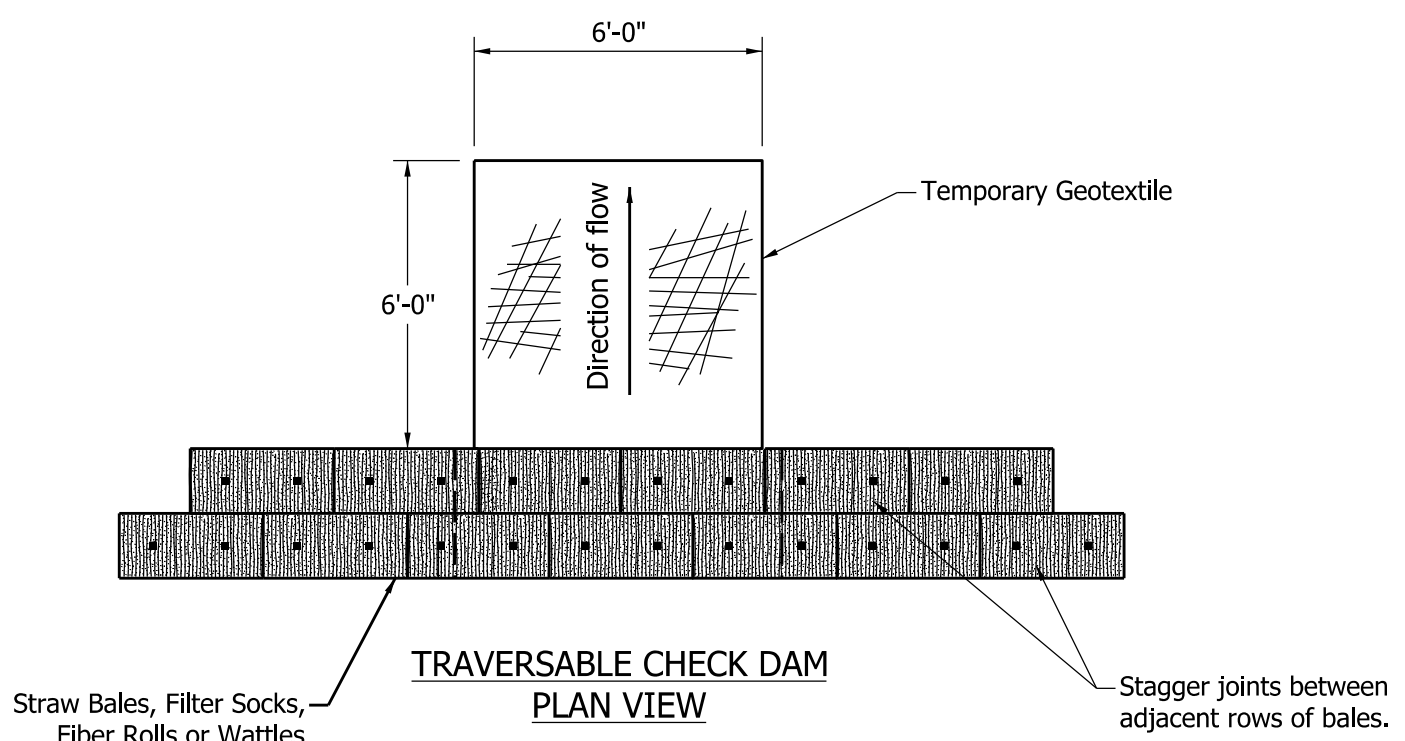
① Riprap ditch check dams shall be spaced such that the top of the downstream check dam is at the same elevation as the toe of the adjacent upstream check dam.



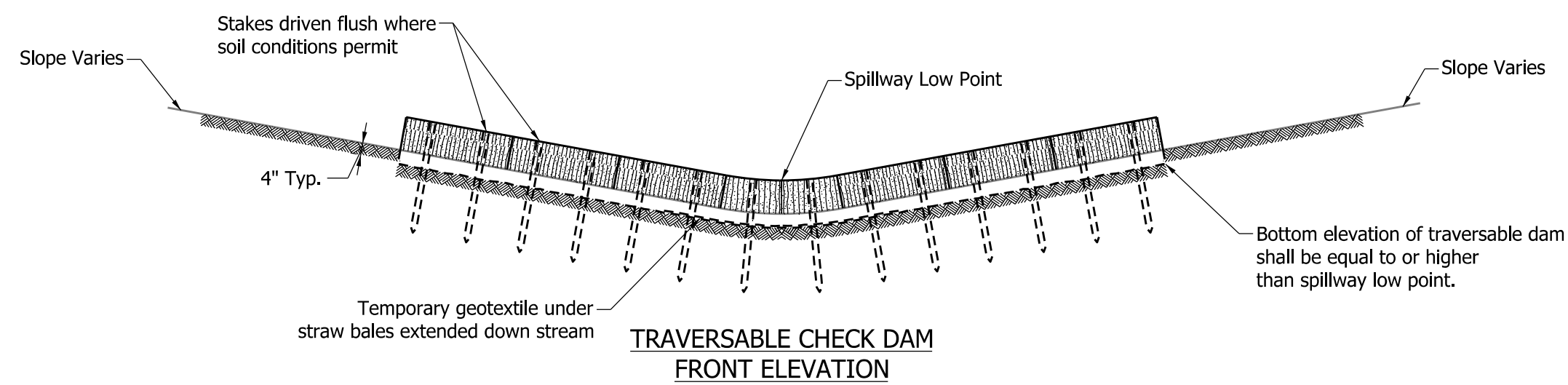
INDIANA DEPARTMENT OF TRANSPORTATION	
TEMPORARY CHECK DAM REVTMENT RIPRAP	
SEPTEMBER 2012	
STANDARD DRAWING NO.	E 205-TECD-01
	/s/ <i>Richard L. VanCleave</i> 09/04/12
	SUPERVISOR, ROADWAY STANDARDS DATE
	/s/ <i>Mark A. Miller</i> 09/04/12
	CHIEF ENGINEER DATE



**SIDE ELEVATION  
STRAW BALE INSTALLATION**



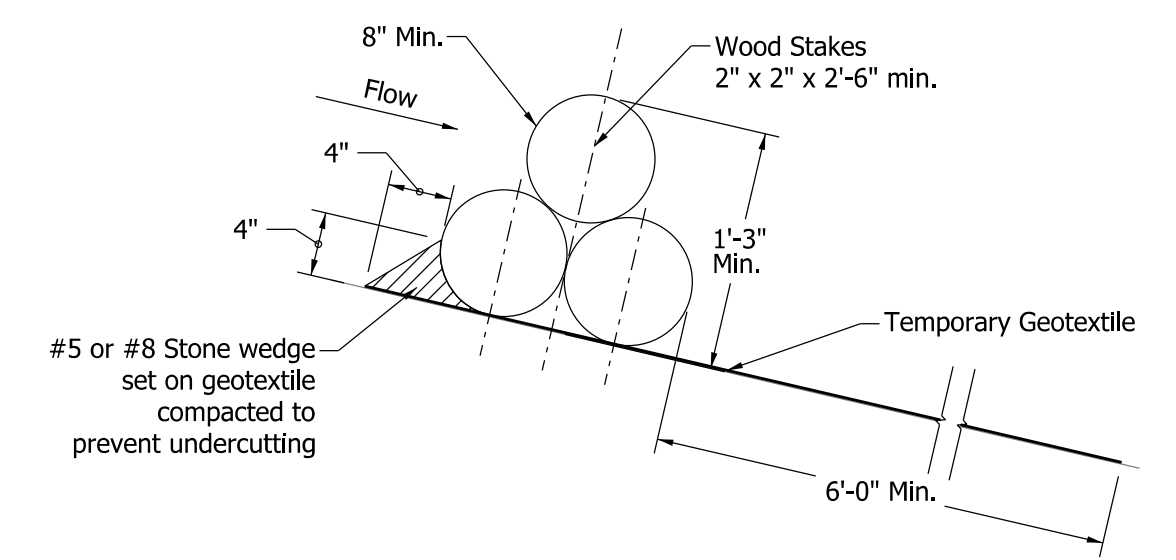
**TRAVERSABLE CHECK DAM  
PLAN VIEW**



**TRAVERSABLE CHECK DAM  
FRONT ELEVATION**

**NOTES:**

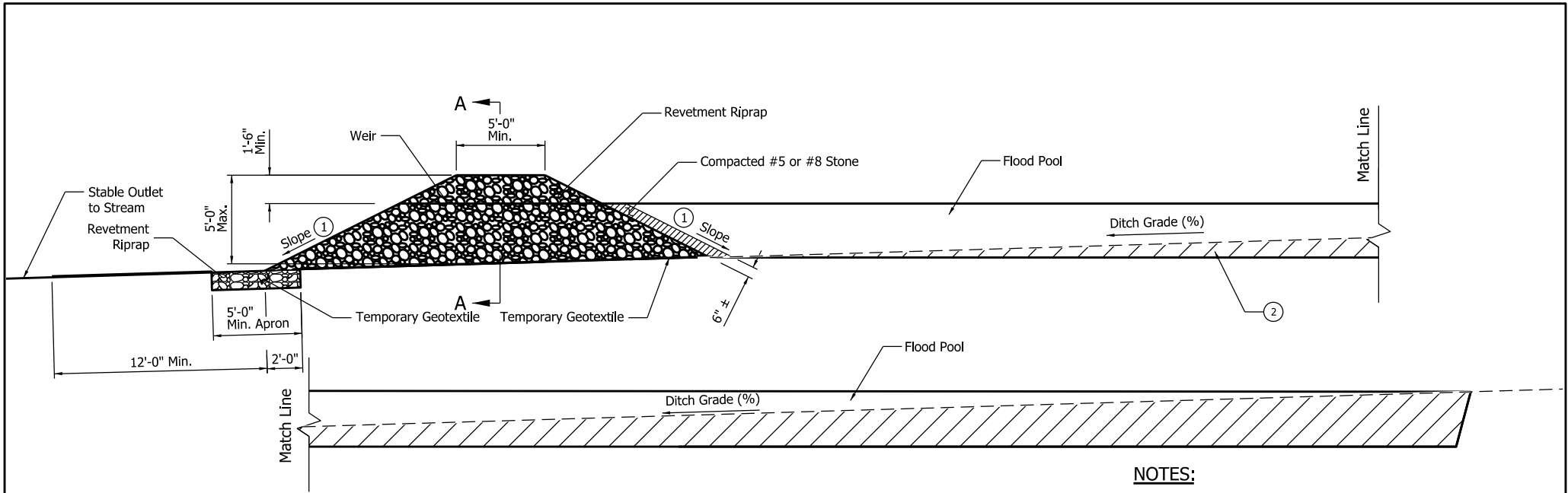
1. Ditch check dams shall be spaced such that the top of the downstream check dam is at the same elevation as the toe of the adjacent upstream check dam.



**SIDE ELEVATION  
ROLLED EROSION CONTROL PRODUCT OPTION**

Stacking Method:  
Filter Socks, Fiber Rolls or Wattle Installation

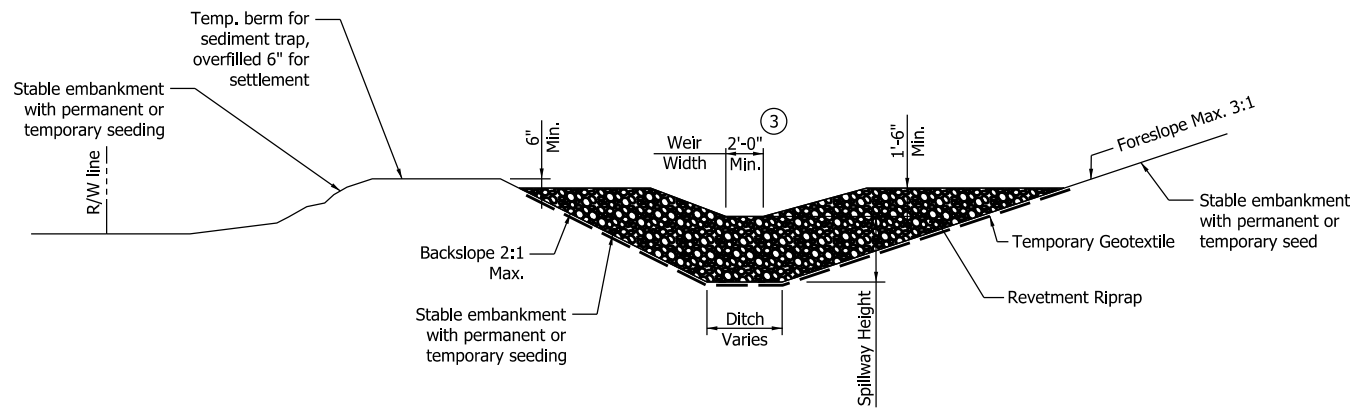
INDIANA DEPARTMENT OF TRANSPORTATION	
TEMPORARY CHECK DAM, TRAVERSABLE FOR CLEAR ZONE	
SEPTEMBER 2012	
STANDARD DRAWING NO.	E-205-TECD-02
	/s/ <i>Richard L. VanCleave</i> 09/04/12 SUPERVISOR, ROADWAY STANDARDS DATE
	/s/ <i>Mark A. Miller</i> 09/04/12 CHIEF ENGINEER DATE



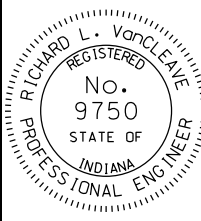
ELEVATION VIEW

**NOTES:**

- ① Slope should be 3:1 maximum on the near side with respect to the direction of traffic while the far side slope may be 2:1 maximum.
- ② This area may be excavated below planned ditch grade to achieve sediment trap capacity. It shall not be excavated to below the bottom elevation of sediment trap riprap. However, over-excavation does not count toward trap capacity of 2-year 24-hour storm event.
- ③ Weir width equals ditch bottom width, min. 2ft.



SECTION A-A

<b>INDIANA DEPARTMENT OF TRANSPORTATION</b>	
<b>TEMPORARY SEDIMENT TRAP</b>	
SEPTEMBER 2012	
STANDARD DRAWING NO.	E 205-TECD-03
DETAILS PLACED IN THIS FORMAT 09/16/16	
	/s/ <i>Richard L. VanCleave</i> 09/04/12 DESIGN STANDARDS ENGINEER DATE
	/s/ <i>Mark A. Miller</i> 09/04/12 CHIEF ENGINEER DATE